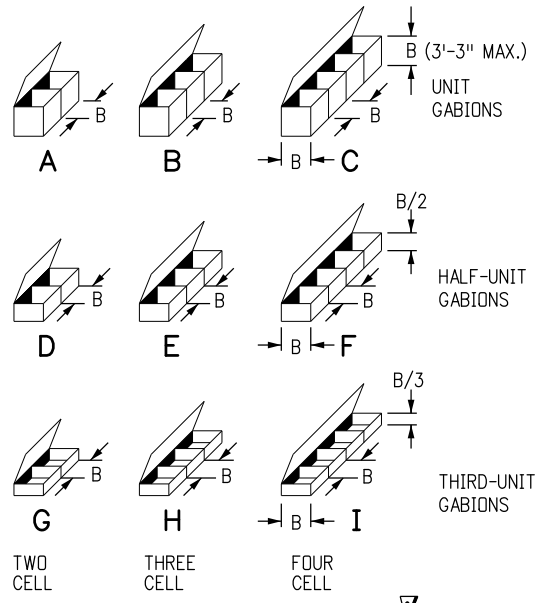
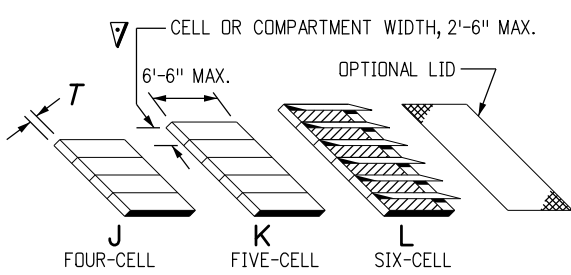


GENERAL NOTES

- GABION AND SLOPE MATTRESS STRUCTURES ON THIS DETAIL ARE TYPICAL ONLY. THE STRUCTURES AS INSTALLED, SHALL ACHIEVE THE PLAN DIMENSIONS IN ALL 3 SPACIAL AXES, WITHOUT REGARD TO THE NUMERICAL COUNT OF UNITS OR ALPHABETICAL UNIT DESIGNATIONS ON THIS SHEET.
- SLOPES 2:1 OR FLATTER ARE DESIRABLE FOR THE DETAILS ON THIS SHEET.
- THE LONGER DIMENSION OF THE MESH OPENINGS SHALL BE 4 IN. NOMINAL FOR THE GABIONS AND 3 IN. NOMINAL FOR THE SLOPE MATTRESSES.
- THE LIMITS OF STRUCTURE EXCAVATION SHALL BE THE NEAT LINES OF THE EXCAVATED PRISM REQUIRED TO INSTALL GABIONS OR SLOPE MATTRESSES.
- LIDS FOR MULTIPLE OR SINGLE MATTRESSES ARE ACCEPTABLE.
- ROCK GRADATION SHALL BE SHOWN ON THE PLANS.



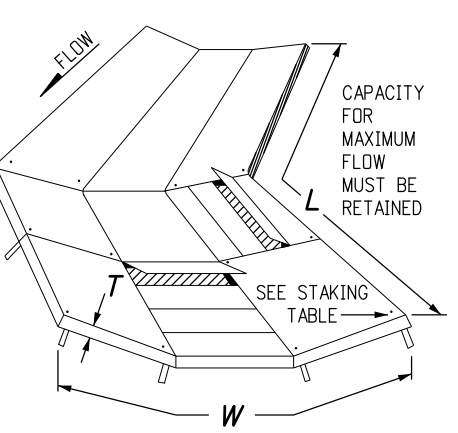
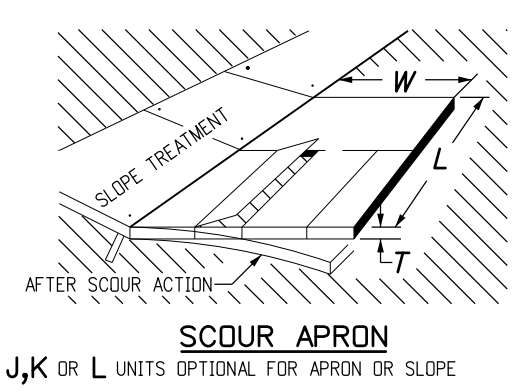
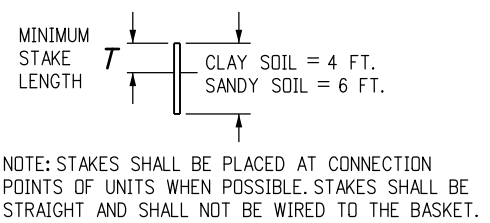
TYPICAL GABION UNITS



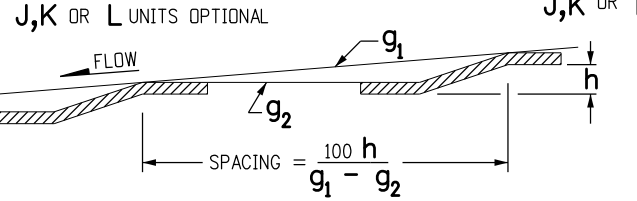
TYPICAL SLOPE MATTRESS UNITS

STEEPEST SLOPE RATIO	SPACING IN FT.	
	ACROSS	DOWN
2 : 1	6	8
2 1/2 : 1	6	8
3 : 1	12	12
4 : 1	12	12
5 : 1	12	12
6 : 1	NONE	NONE

SLOPE TREATMENT STAKING TABLE



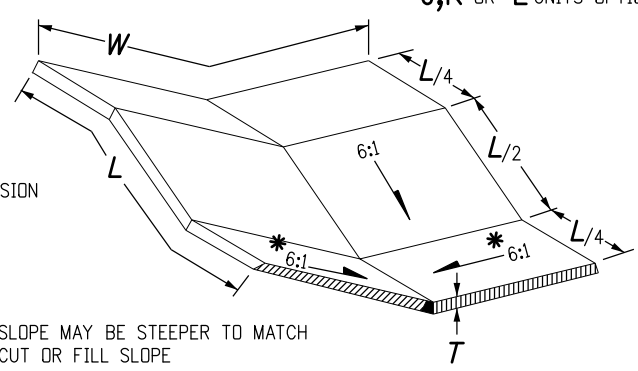
LINED CHANNEL



EROSION DITCH CHECK

$g_1, g_2 = \% \text{ SLOPE (FT. PER 100 FT.)}$ $h = \text{WATER DROP IN FT. OVER STRUCTURE}$

RUNDOWN



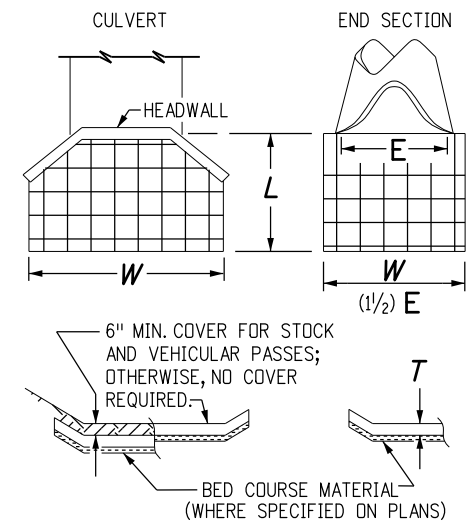
LEGEND

- B = GABION CELL DIMENSION
- T = THICKNESS
- W = WIDTH
- L = LENGTH
- H = HEIGHT

* SLOPE MAY BE STEEPER TO MATCH CUT OR FILL SLOPE

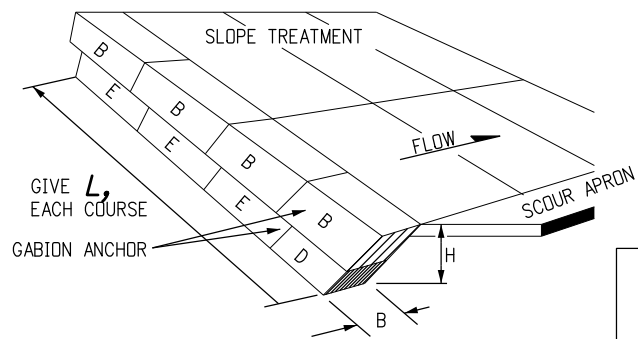
SLOPE TREATMENT

J, K OR L UNITS OPTIONAL

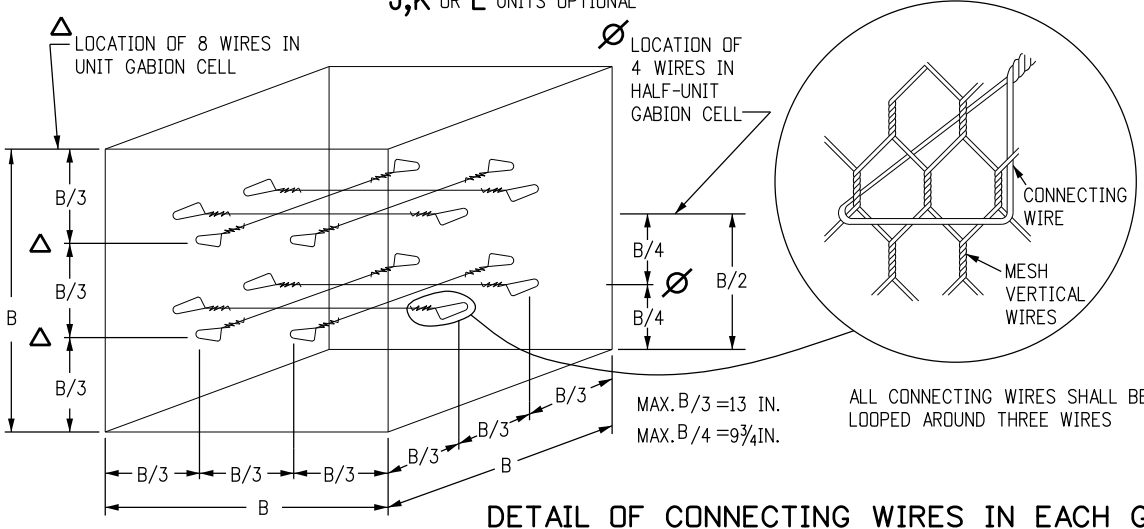


OUTLET TREATMENT

J, K OR L UNITS OPTIONAL



TYPICAL UPSTREAM GABION ANCHOR



DETAIL OF CONNECTING WIRES IN EACH GABION CELL

GABIONS AND SLOPE MATTRESS D-506-1
 APPLICATION: EROSION CONTROL AND REHABILITATION OF EXISTING GABION AND SLOPE MATTRESS FEATURES.
 HISTORY: PREVIOUSLY STANDARD PLAN M-506-1.
 PLEASE CALL THE STANDARDS ENGINEER AT 303-757-9021 FOR ANY QUESTIONS.
 DATE: MARCH 10, 2006
 PLEASE DELETE THIS BLOCK BEFORE USING THIS DETAIL ON A PROJECT.

Computer File Information		Sheet Revisions		Colorado Department of Transportation		As Constructed		GABIONS AND SLOPE MATTRESS D-506-1		Project No./Code	
Creation Date: 03/10/06	Initials: SRJ	(R-X) mm/dd/yy	XXXXXXXX	XXXXXX	XXXXXX	Street Address	No Revisions:	mm/dd/yy	Designer:	XXXXXXXX	Number
Last Modification Date: 03/10/06	Initials: LTA	(R-X) mm/dd/yy	XXXXXXXX	XXXXXX	XXXXXX	Office location	Revised:	mm/dd/yy	Detailer:	XXXXXXXX	Code
Full Path: www.dot.state.co.us/DesignSupport/		(R-X) mm/dd/yy	XXXXXXXX	XXXXXX	XXXXXX	City, CO Zip code	Void:	mm/dd/yy	Sheet Subset:	XXXXXXXX	Sheet Number: 1 of 1
Drawing File Name: D0506010101.dgn		(R-X) mm/dd/yy	XXXXXXXX	XXXXXX	XXXXXX	Phone: XXX-XXX-XXXX FAX: XXX-XXX-XXXX			Subset Sheets:	XXX of XXX	
CAD Ver.: MicroStation V8 Scale: Not to Scale Units: English		(R-X) mm/dd/yy	XXXXXXXX	XXXXXX	XXXXXX	Region, Unit					